



AIR CONDITIONING



REFRIGERATION



HEATING



mini aqua®

CONDENSATE REMOVAL PUMP

The world's slimmest condensate removal pump is designed to fit where other's can't!



12L/h max. flow



10m max. rec. head (flow rate 6L/h)



21dB(A)

KEY FEATURES

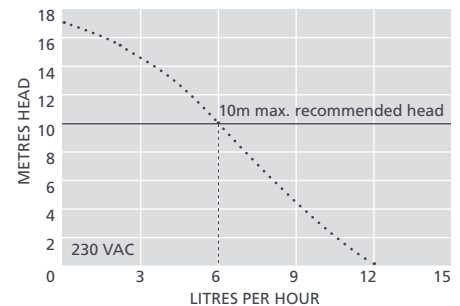
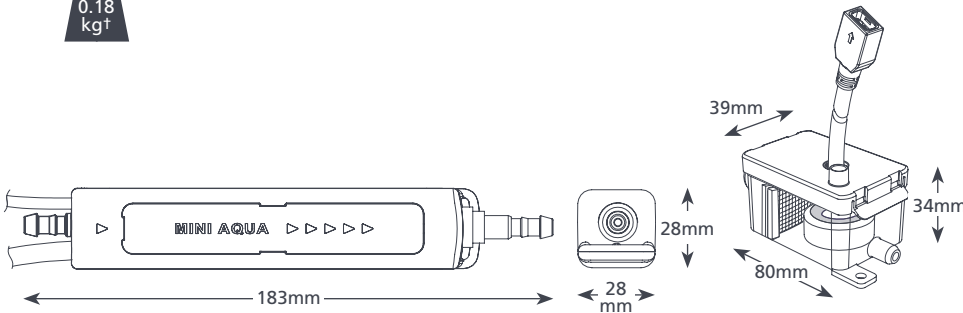
- Ultra slim
- High performance
- Plug & play
- Anti siphon device

SUITABILITY

- Up to 16kW / 54,000Btu/h
- High wall mini split systems; Ducted units; Floor standing & Chassis units
- ✓ **Perfect for...** installing directly inside the unit



0.18 kg†



MINI AQUA SPECIFICATIONS

| | |
|--------------------|--|
| Max. flow | 12L/h @ 0 head |
| Max. rec. head | 10m |
| Max. suction lift | 2m |
| Sound level@1m | 21dB(A) |
| Power supply | 230 VAC, 0.1A, 16W, 50/60Hz |
| Rated Class | Non continuous II appliance <input type="checkbox"/> |
| Max. unit output | 16kW / 54,000Btu/h |
| Max. water temp | 40°C / 104°F |
| Discharge tube | 6mm ID |
| IP Protection | IP24 |
| Safety switch | 3.0A Normally closed |
| Thermal protection | ✓ |
| Fully potted | ✓ |
| Self priming | ✓ |

MINI AQUA OPTIONS

| | |
|--------------------|----------|
| Mini Aqua (Europe) | FP2406/2 |
| † Pump only | |

SUGGESTED XTRA ACCESSORIES

| Description | Part No. |
|-------------------------------|----------|
| 1 Amp Fuse | FP2620 |
| Tube To Soil Stack Adaptor | FP2038 |
| Vinyl Tube Braided 1/4" (6mm) | AX5100 |
| Inline Filter 16mm | FP2640 |

IN THE BOX

Mini Aqua pump • 1.5m Plug & play power cable • Reservoir (inc. filter, float, lid) • 150mm Vinyl breather tube 6mm ID • Anti siphon device • 1.5m Suction tube 6mm ID • 220mm Blue inlet hose 14mm ID • Drain connector kit • Fixing kit • Install manual

- Download manual at aspenspumps.com
- View install video at aspenspumps.com

For more installation accessories take a look at our Aspen Xtra range

Information correct at time of going to press.

